



**7 - S E R I E S E L E C T R I C
C U S H I O N T I R E
8 0 0 0 - 1 2 , 0 0 0 L B S
S P E C I F I C A T I O N S**



8000 – 12,000 lbs • Standard Features

SAFETY

- System of Active Stability (SAS)
 - Active control rear stabilizer
 - Active mast function controller
- Key lowering interlock
- Double-action parking brake
- Asbestos free components
- Electric horn
- Manual return to neutral

PERFORMANCE

- 36 Volt electrical system
- AC drive system (MOSFET Transistor)
- Three forms of energy regeneration
 - Coast control
 - Plug braking
 - Foot Braking
- Load handling chopper
- Planetary drive axle
- Digital multifunction display
 - Time & Date
 - Speedometer
 - Multifunction hour meters
 - Battery capacity indicator
 - Parking brake indicator
 - Over discharge warning (lift interrupt)
 - Swing lock cylinder indicator
- Built-in analyzer
- Self-diagnostics
- Power select functions (S.P.H.)
- Power keep function
- Auto shut-off (after 15 minutes)
- UL-approved model type E
- 3-way hydraulic control valve

BODY/EXTERIOR DESIGN

- Wide view 2-stage mast (V)
- Wide view carriage bars
- Bolt-on overhead guard
- Punched plate entry/exit steps
- Adjustable front headlights
- 48" load backrest extension
- Easy-access hydraulic motors
- 85-degree wide-opening battery hood
- Chassis: Field retrofitable with battery slide-out
- Drawbar pin
- Tie-down hooks
- Smooth cushion tires

OPERABILITY AND ERGONOMICS

- Strategically configured instrument display
- EHPS (On demand, Electronic Hydraulic Power Steering)
- Cowl-mounted hydraulic controls
- Automatic fork leveling control
- Dual operator assist grips
- Electric directional shift control
- Memory-tilt steering column
- Pendant-mounted brake pedal
- Operator restraint system (ORS) with non-suspension seat
- Retractable seat belt
- Heavy-duty non-slip floor mat
- Two-spoke steering wheel
- Dash integrated pen/pencil holder
- Hood integrated clip board
- Dash-mounted cup holder

SERVICEABILITY

- AC drive motors (no brushes or commutator)
- Battery compartment hood assist dampers
- Easy access no-tools floorboard

OPTIONAL EQUIPMENT

- UL-approved model type EE
- UL-approved model type ES
- Cold storage model
- 48 Volt electrical system
- Keyless key switch
- Battery slide-out
- 4-way hydraulic control valve
- Sideshifter
- Seat brake
- EZ Pedal (foot directional control)
- Smooth cushion tires
- Non-marking tires
- Wide tread (8k only)
- Battery compartment side panels
- Vinyl 4-way adjustable semi-suspension seat
- Cloth 4-way adjustable semi-suspension seat
- Operator compartment light
- Rear view mirrors (left & right)
- Strobe light (yellow, red, blue & clear)
- Front combination lights
- High mounted rear combination lights
- Rear working light
- Tilt cylinder boots (8-9k only)
- Adjustable volume back-up alarm (Smart alarm)
- Anti-static ground strap
- Motor brush wear/overheat protection (Hydraulic motors only)
- Wide-view full free lift 2-stage mast (FV)
- Wide-view full free lift 3-stage mast (FSV)
- Tapered forks
- Fully tapered & polished forks (FTP) (8-9k only)
- Various carriage widths
- Various load backrest extension heights
- Side hosing termination
- Pencil/tape holder
- Fire extinguisher
- Quick disconnects (single & dual)
- 12V power supply

Note: Please check with your local Toyota sales professional for additional options.

8000 – 12,000 lbs • Specifications

Models		7FBCU35	7FBCU45	7FBCU55
Load Capacity (with 24-in. load center)	lb	8000	10000	12000
Brakes		Hydraulic (Foot)		

EXTERIOR DIMENSIONS

A Maximum Fork Height (MFH)	in	120	120	120.6	
B Mast Lowered Height	in	81.1	83	84.6	
C Mast Extended Height	in	168.1	168.1	174.6	
D Free Lift	in	4.3	4.3	4.9	
E Load Distance ¹	in	18.3	19	20.9	
F Wheelbase	in	61.2	61.2	69.7	
G Fork Size (TxWxL)	in	2x6x42	2x6x42	2.6x6x48	
H Length to Fork Face	in	98.8	103.5	113	
I Overhead Guard Height	in	90	90.2	93.3	
J Tilt Range (forward/backward)	deg	5/6	5/6	5/6	
K Outside Turning Radius	in	84.3	87.6	96.1	
L Basic Right Angle Stacking Aisle Width ²	in	102.6	106.7	116.9	
M Overall Width	in	47.6	53.1	53.1	
N Carriage Width	in	43	43	46	
O Tread Width	Front	in	38.6	41.1	42.9
	Rear	in	41.3	42.4	43.5

DIMENSIONS OF BATTERY COMPARTMENT

Width	in	45.2	45.2	45.2			
Length	in	39.2	39.2	45.7			
Height	without Slides / with Slides	in	23.8/23	23.8/23			
Power Type	Battery						
Battery	Voltage/Capacity (6-hour ratings)	STD	36V/48V	AH	1360/1105	1360/1105	1700/1360
		High	36V/48V	AH	1760/1430	1760/1430	2200/1760
	Min. weight		lbs	3400	3600	4230	
	Max. weight		lbs	4644	4644	5481	
Electric Motors	Drive (Dual)	36V/48V	kW	9.7x2/13.2x2	9.7x2/13.2x2	9.7x2/13.2x2	
	Load Handling (Dual Hyd.)	36V/48V	kW	9.2/12.8	9.2/12.8	9.2/12.8	
	Power Steering	36V/48V	kW	Consult Factory			
Control Type	Drive	Transistor Invertor					
	Load Handling (Hyd.)	Transistor Chopper					
	Power Steering	Transistor Chopper					

PERFORMANCE DATA

Maximum Travel Speed (H-Mode)	fwd/rvs - full load	36V	mph	8.4	7.8	7.5
	fwd/rvs - full load	48V	mph	10.9	10.9	9.0
	fwd/rvs - no load	36V	mph	9.3	9.0	8.1
	fwd/rvs - no load	48V	mph	11.2	11.2	9.3
Lift Speed (V Mast only)	full load	36V/48V	fpm	51/73	43/57	37/53
	no load	36V/48V	fpm	91/118	69/89	65/81
Lowering Speed (V Mast only)	full load		fpm	98	98	98
	no load		fpm	108	98	108
Maximum Drawbar Pull	full load ³		lb	3800	3650	4780
	no load ³		lb	3410	3280	4570
Maximum Gradeability	full load ³		%	16	13	14
	no load ³		%	22	18	20

UNDERCLEARANCE

Center of Wheelbase	in	4.7	4.9	5.1
---------------------	----	-----	-----	-----

TRUCK WEIGHTS

Gross weight without battery	lb	10450	12570	15010	
Weight Distribution w/ Std. Battery	front-full load	lb	19350	22710	27460
	rear-full load	lb	2500	3460	3780
	front-no load	lb	5820	5670	7730
	rear-no load	lb	8030	10500	11510

ATTACHMENT

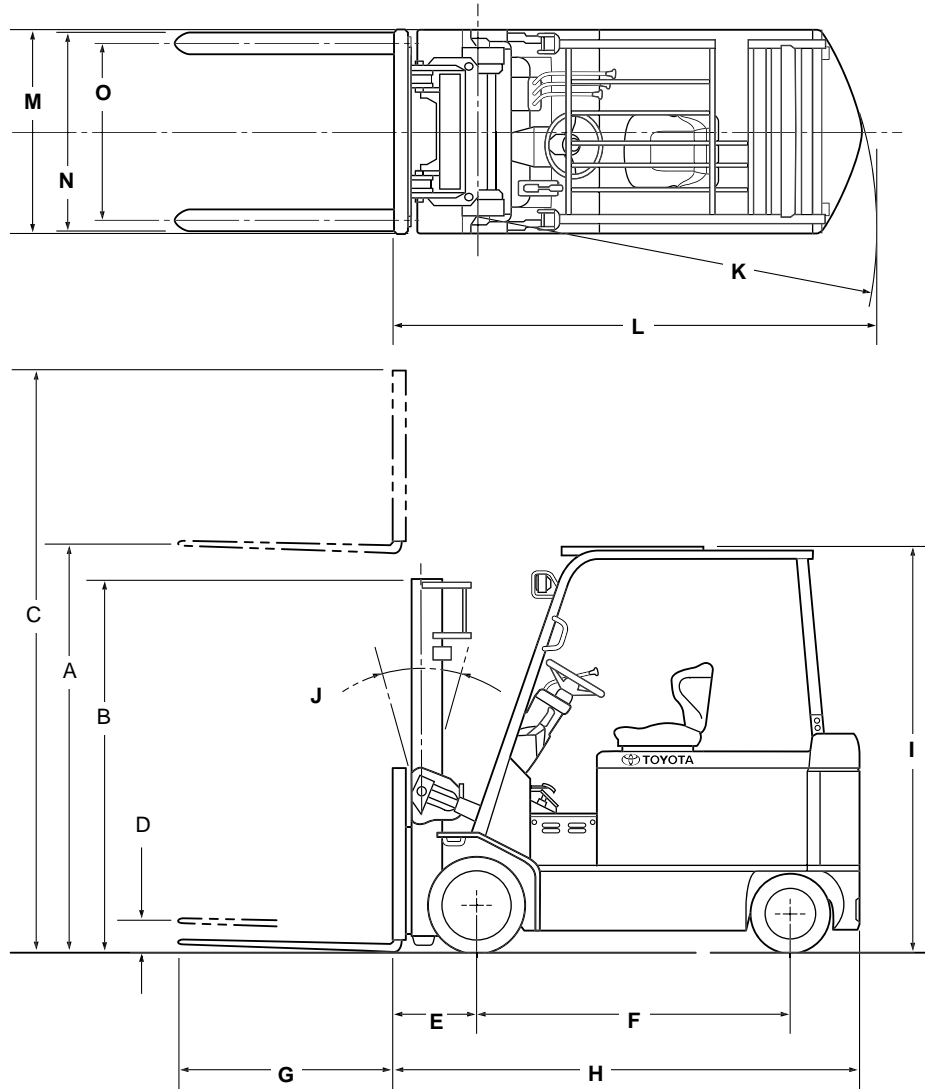
Attachment Operating Hydraulic Pressure	psi	2630	2630	2630
---	-----	------	------	------

TIRES

Type (front/rear)	Cushion/Cushion			
Size (ODxWxD)	Drive	22x9x16	22x12x16	28x10x22
	Steer	18x6x12-1/8	18x7x12-1/8	18x8x12-1/8

1) Centerline of front axle to front face of forks. 2) Add load length and aisle clearance. 3) 3-minute rating computed values.

8000 – 12,000 lbs • Mast Specifications



7FBCU35, 30-7FBCU35

Mast Type	Maximum Fork Height (top of forks)	Overall Height			Free Lift		Tilt Range		Standard Tread	Wide Tread
		Lowered	Extended		Without Load Backrest	With Standard Load Backrest	FWD	BWD	Load Capacity @ 24 in. Load Center	Load Capacity @ 24 in. Load Center
			Without Load Backrest	With Standard Load Backrest						
in		in	in	in	in	in	deg	deg	lb	lb
Wide Visible (V)	120	81.1	149.6	168.1	4.3	4.3	5	6	8000	8000
	132	88.2	161.4	179.9	4.3	4.3	5	6	8000	8000
	140	92.1	169.3	187.8	4.3	4.3	5	6	8000	8000
	147.5	96.1	177.2	195.7	4.3	4.3	5	6	8000	8000
	179	115.8	208.7	227.2	4.3	4.3	5	6	8000	8000
Full-Free Lift 2-Stage (FV)	120	81.1	150.8	168.1	50.4	33.1	5	6	8000	8000
	132	88.2	162.6	179.9	57.5	40.2	5	6	8000	8000
Full-Free Lift 3-Stage (FSV)	159.5	76.4	190.9	207.5	44.9	28.4	5	5	8000	8000
	171.5	81.1	202.8	219.3	49.6	33.1	5	5	8000	8000
	187	88.2	218.5	235	56.7	40.2	5	5	8000	8000
	199	92.1	230.3	246.9	60.6	44.1	5	5	7730	7730
	218.5	98	250	266.5	66.5	50	5	5	7470	7470
	238	105.9	269.7	286.2	74.4	57.9	5	5	-	7000

Note: Height of standard load backrest is 48 in.

8000 – 12,000 lbs • Mast Specifications

7FBCU45, 30-7FBCU45

Mast Type	Maximum Fork Height (top of forks)	Overall Height			Free Lift		Tilt Range		Standard Tread
		Lowered	Extended		Without Load Backrest	With Standard Load Backrest	FWD	BWD	Load Capacity @ 24 in. Load Center
			Without Load Backrest	With Standard Load Backrest					
		in	in	in	in	in	in	deg	deg
Wide Visible (V)	120	83.1	152	168.1	4.3	4.3	5	6	10000
	132	92.1	163.8	179.9	4.3	4.3	5	6	10000
	140	96.1	171.7	187.8	4.3	4.3	5	6	10000
	147.5	100	179.5	195.7	4.3	4.3	5	6	10000
	179	115.8	211	227.2	4.3	4.3	5	6	10000
Full-Free Lift 2-Stage (FV)	120	83.1	152.2	168.1	51	35	5	6	10000
	132	92.1	164	179.9	60	44.1	5	6	10000
Full-Free Lift 3-Stage (FSV)	159.5	81.1	191.5	207.5	49	33.1	5	5	10000
	171.5	85.6	203.4	219.3	53.5	37.6	5	5	10000
	187	92.1	219.1	235	60	44.1	5	5	10000
	199	98	230.9	246.9	65.9	50	5	5	10000
	218.5	105.9	250.6	266.5	73.8	57.9	5	5	9650
	238	115.8	270.3	286.2	83.7	67.7	5	5	9000

Note: Height of standard load backrest is 48 in.

7FBCU55, 30-7FBCU55

Mast Type	Maximum Fork Height (top of forks)	Overall Height			Free Lift		Tilt Range		Standard Tread
		Lowered	Extended		Without Load Backrest	With Standard Load Backrest	FWD	BWD	Load Capacity @ 24 in. Load Center
			Without Load Backrest	With Standard Load Backrest					
		in	in	in	in	in	in	deg	deg
Wide Visible (V)	120.5	84.7	150.6	174.6	4.9	4.9	5	6	12000
	132.5	90.6	162.4	186.4	4.9	4.9	5	6	12000
	140.5	94.5	170.3	194.3	4.9	4.9	5	6	12000
	148	100.4	178.2	202.2	4.9	4.9	5	6	12000
	179.5	118.1	209.7	233.7	4.9	4.9	5	6	12000
Full-Free Lift 3-Stage (FSV)	160	81.5	187.8	214	53.7	27.6	5	6	12000
	172	84.7	199.6	225.8	56.9	30.7	5	6	12000
	187.5	90.6	215.4	241.5	62.8	36.6	5	6	12000
	199.5	94.5	227.2	253.4	66.7	40.6	5	6	11800
	219	100.4	246.9	273	72.6	46.5	5	6	10900
	239	108.3	266.5	292.7	80.5	54.3	5	6	10000

Note: Height of standard load backrest is 54 in.



Some product features described herein are optional. Please consult your dealer for specifications. Details of specifications and equipment are based on information available at time of printing and may change without notice.

00722-71008-301 02/02
Litho in U.S.A. (20M)

© 2002 Toyota Material Handling, U.S.A., Inc.
www.toyotaforklift.com

